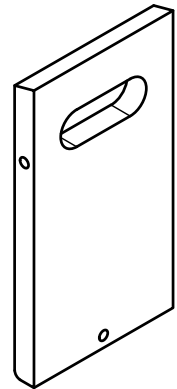
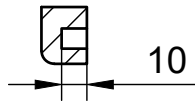
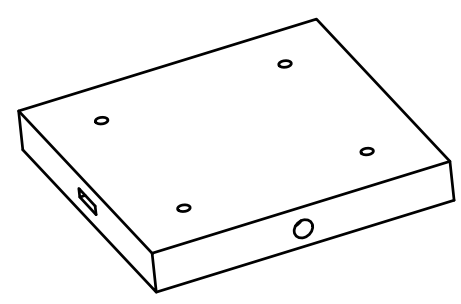
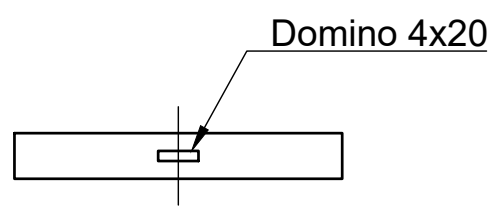
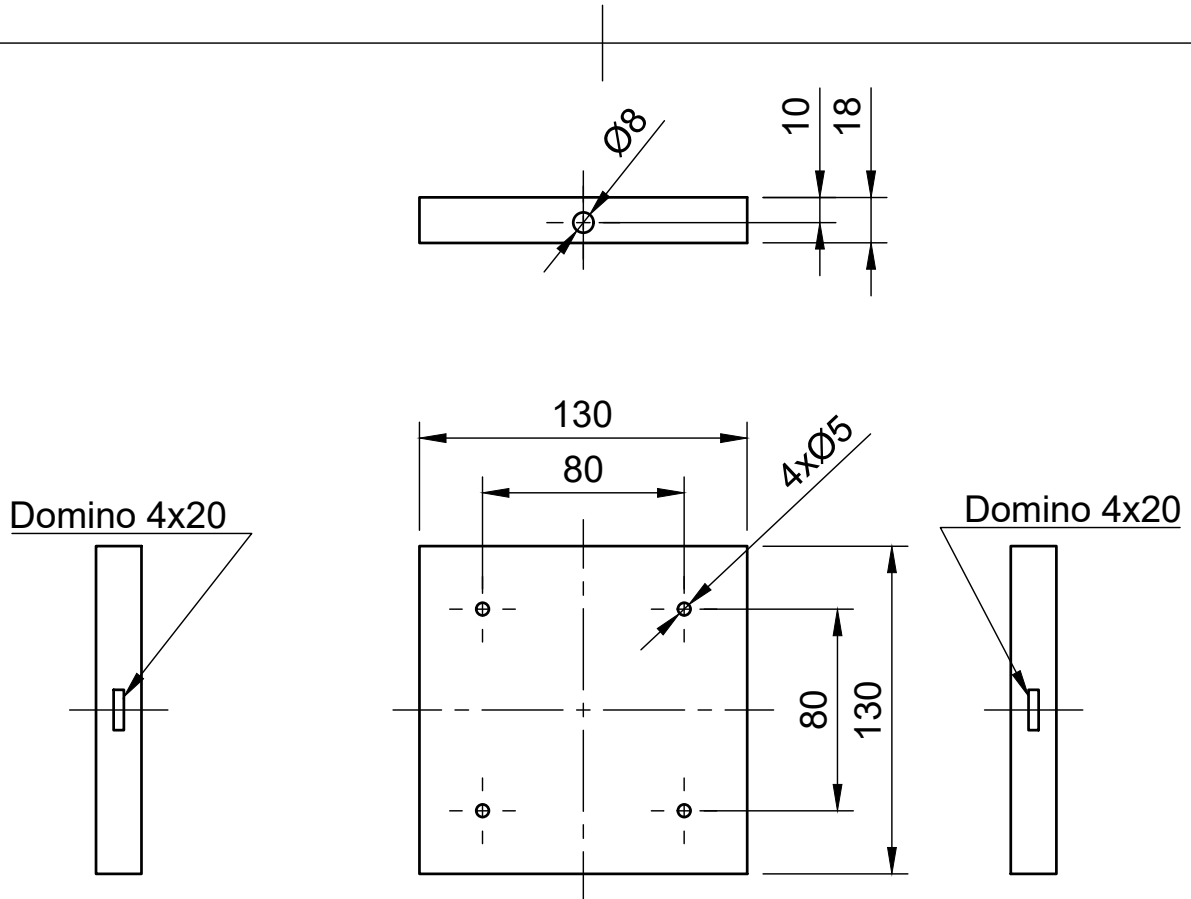


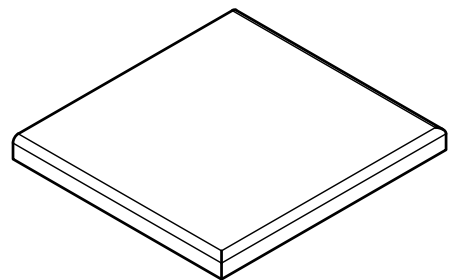
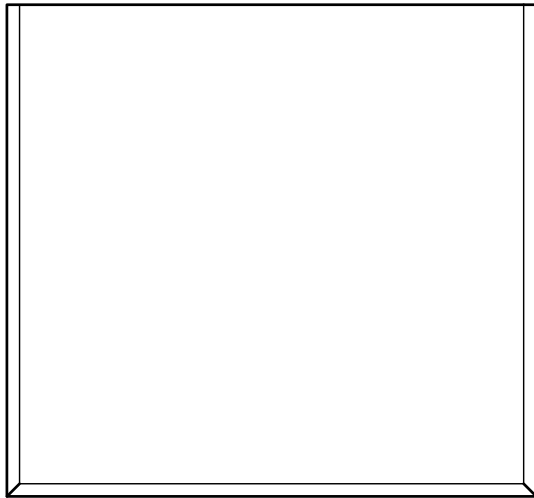
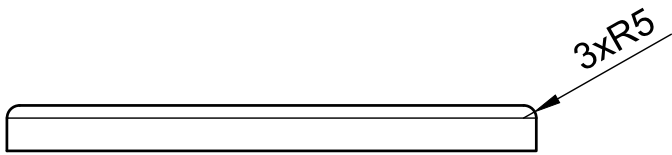
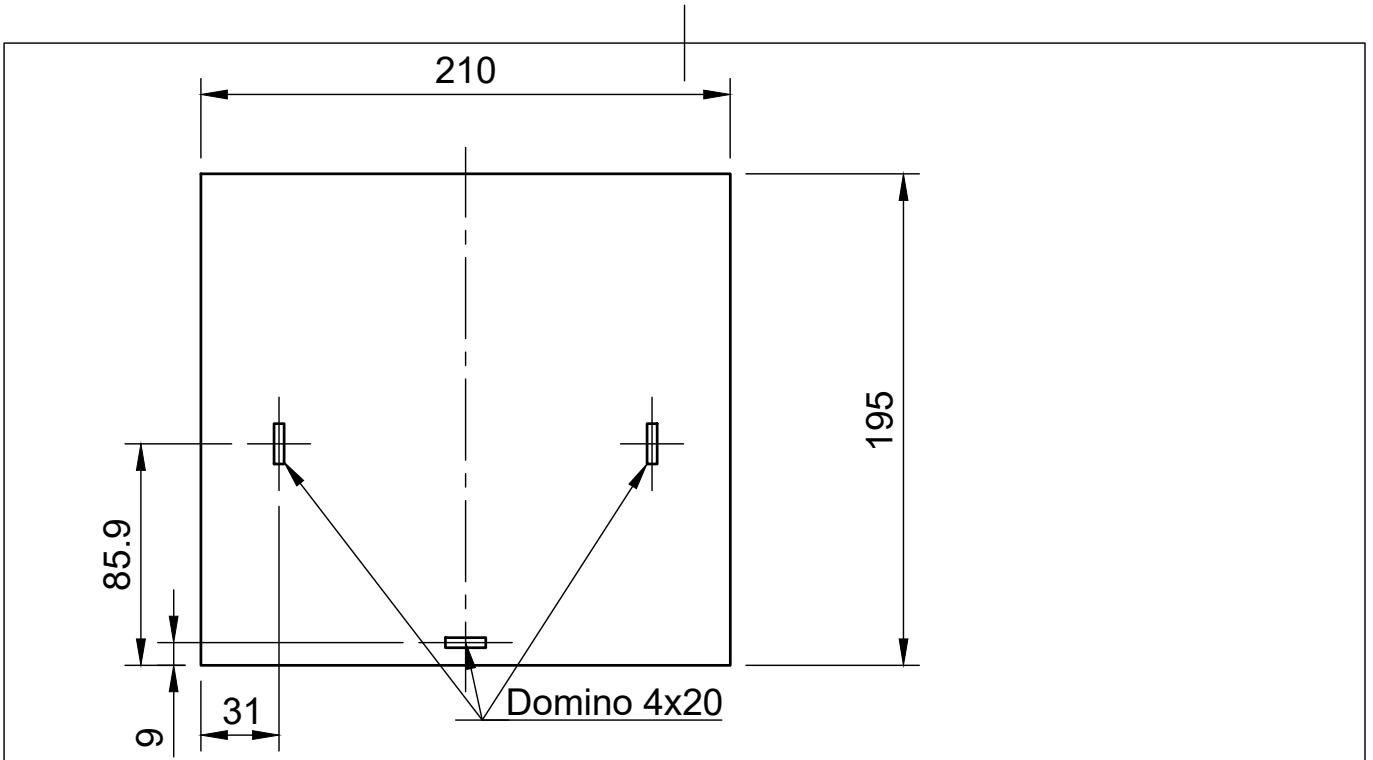
A-A (1:3)



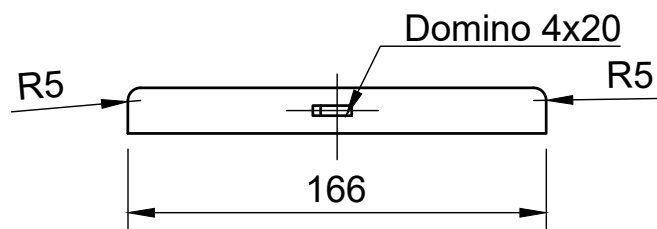
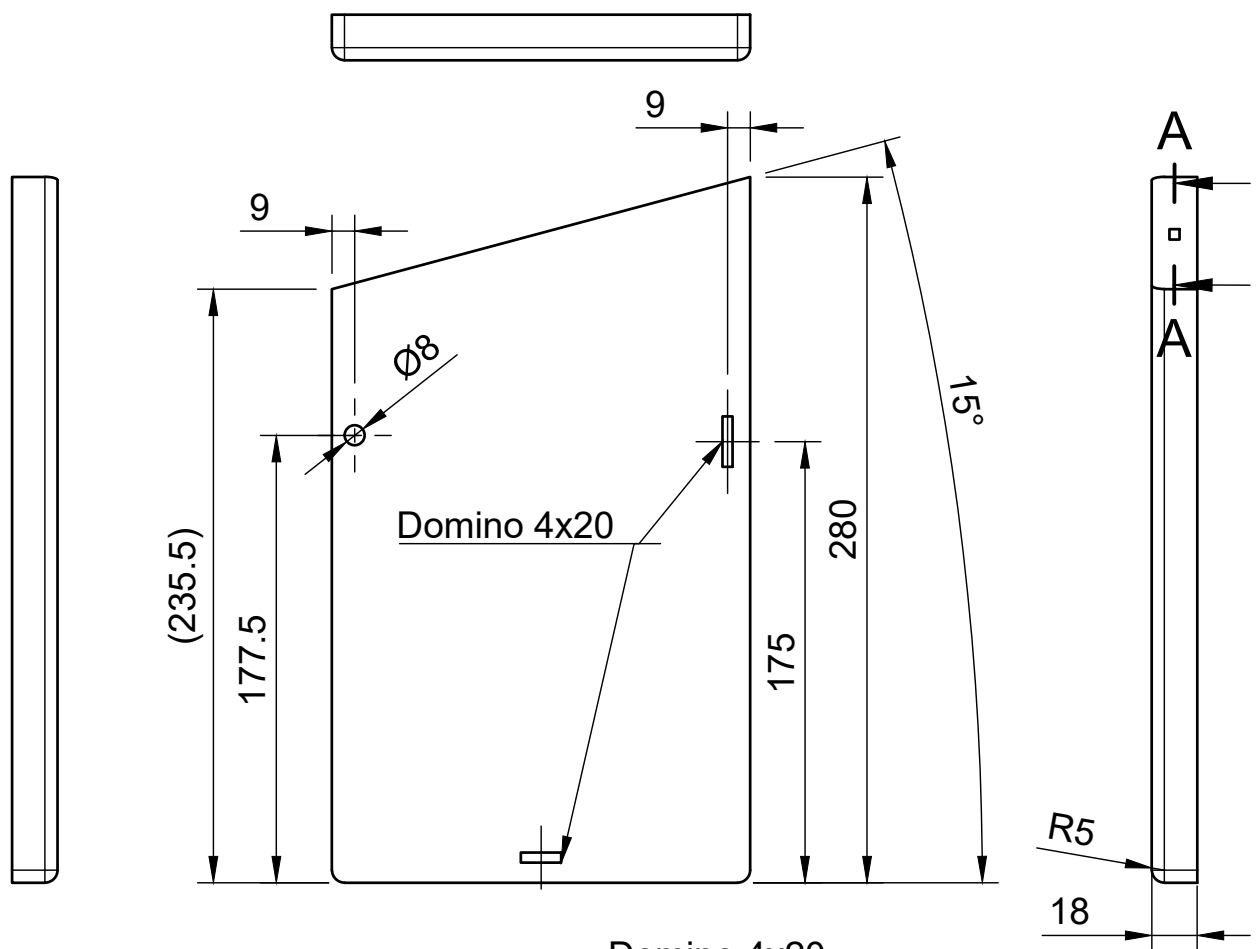
Dept.	Technical reference	Created by Dustyn Kramer 22.04.2024	Approved by		
		Document type	Document status		
		Title Vogelhaus Vorderseite v2	DWG No.		
		Rev.	Date of issue	Sheet 1/1	



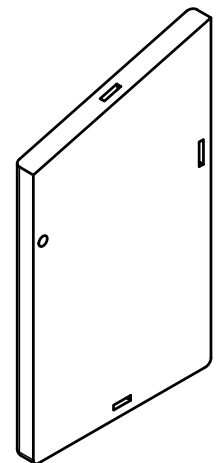
Dept.	Technical reference	Created by Dustyn Kramer 22.04.2024	Approved by	
		Document type	Document status	
		Title Vogelhaus Boden v2	DWG No.	
		Rev.	Date of issue	Sheet 1/1



Dept.	Technical reference	Created by Dustyn Kramer 22.04.2024	Approved by	
		Document type	Document status	
		Title Vogelhaus Dach v2	DWG No.	
		Rev.	Date of issue	Sheet 1/1



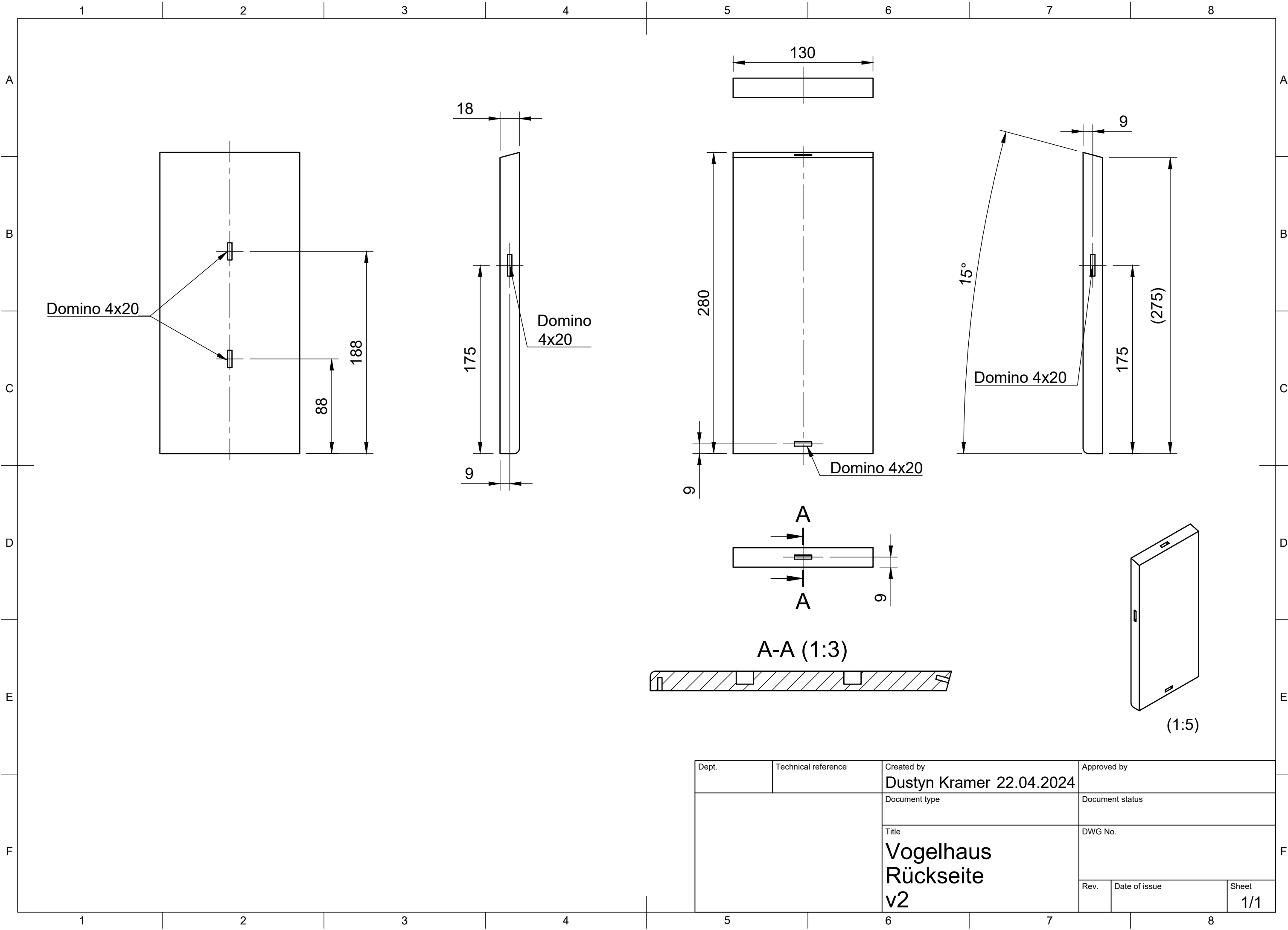
A-A (1:3)



(1:5)

Vogelhaus Rechte Seite analog nur spiegelverkehrt

Dept.	Technical reference	Created by Dustyn Kramer 22.04.2024	Approved by	
		Document type	Document status	
		Title Vogelhaus Linke Seite v2	DWG No.	
		Rev.	Date of issue	Sheet 1/1



Dept.	Technical reference	Created by Dustyn Kramer 22.04.2024	Approved by
		Document type	Document status
		Title Vogelhaus Rückseite v2	DWG No.
		Rev.	Date of issue
		Sheet 1/1	